

高压接头和附件

标称压力为15,000 ... 60,000 psi [103.4 ... 413.6 MPa]

型号HPFA

威卡 (WIKAI) 数据资料AC 09.32

应用

- 石油和天然气行业、化工行业、机械制造与自动化
- 适用于进样系统、测试台和液压动力装置
- 喷砂/水切割，高压清洗

功能特性

- 可提供多种材质和配置选择
- 可按客户需求定制阀门和测量仪表组合 (二次配)



接头和附件示例

描述

HPFA型高压接头和附件为15,000 ... 60,000 psi [103.4 ... 413.6 MPa]的高压应用而开发。这些产品特别适用于空间受限的控制面板或测试台。

HPFA型号的范围包括弯头、三通、四通、穿板接头、卡圈、螺套、抗振接头和接管。

弯头、三通、四通接头均设有安装孔。锥面/螺纹接头的连接类型已经配备了卡圈和螺套。

设计和优质材料的选用，确保了长寿命和高密封性。

威卡 (WIKAI) 根据客户要求提供专业的阀门和压力测量仪表以及其他附件的组装，形成一套可随时安装的二次配方案。为保障整个系统的功能，还会对二次配组合进行一次泄漏测试。

规格

型号HPFA	
标称压力	<ul style="list-style-type: none"> ■ 15,000 psi [103.4 MPa] ■ 20,000 psi [137.9 MPa] ■ 60,000 psi [413.6 MPa]
允许温度范围	-55 ... +210 °C [-67 ... +410 °F]
版本	<ul style="list-style-type: none"> ■ 弯头 ■ 三通 ■ 弯头, 带内外螺纹¹⁾ ■ 三通, 带内外螺纹¹⁾ ■ 四通 ■ 穿板接头 ■ 抗振接头 ■ 卡圈 ■ 螺套 ■ 接管 ■ 密封盖 ■ 堵头
连接类型	<ul style="list-style-type: none"> ■ 符合ANSI/ASME B1.20.1的内/内螺纹, NPT ■ 符合ANSI/ASME B1.20.1的内/外螺纹, NPT ■ 锥面/螺纹接头
连接尺寸	<ul style="list-style-type: none"> ■ ¼ NPT ■ ⅜ NPT ■ ½ NPT ■ ¼"锥面/螺纹接头 ■ ⅜"锥面/螺纹接头 ■ ½"锥面/螺纹接头 ■ ¾"锥面/螺纹接头²⁾ ■ 1"锥面/螺纹接头²⁾
功能特性	部件100%可追溯

1) 不适用于锥面/螺纹接头。

2) 最大允许压力不超过20,000 psi [137.9 MPa]。

材料

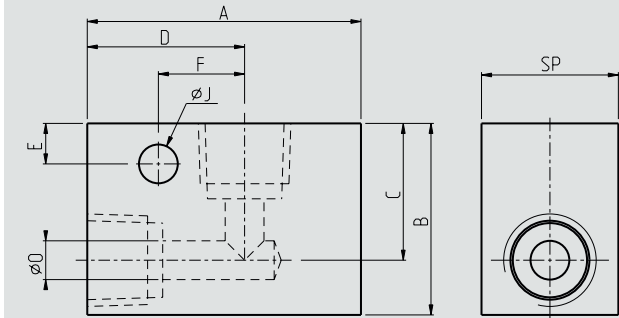
接液部件	<ul style="list-style-type: none"> ■ 不锈钢316 (1.4401) ■ 不锈钢316L (1.4404) ■ 可按需提供其他材料
非接液部件	<ul style="list-style-type: none"> ■ 不锈钢316 (1.4401) ■ 不锈钢316L (1.4404)

尺寸 (单位: mm [in])

符合ANSI/ASME B1.20.1的螺纹连接, 内/内螺纹

弯头

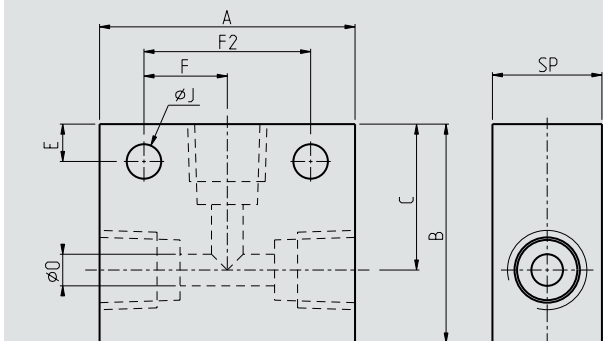
标称压力: 15,000 psi [103.4 MPa]



螺纹	尺寸 (单位: mm [in])								
	A	B	C	D	E	F	J	SP	孔板
¼ NPT	38.1 [1.5]	38.1 [1.5]	25.4 [1]	25.4 [1]	6.5 [0.26]	14.5 [0.57]	6 [0.24]	19.05 [0.75]	5.5 [0.22]
⅜ NPT	38.1 [1.5]	38.1 [1.5]	25.4 [1]	25.4 [1]	8 [0.31]	16 [0.63]	7 [0.28]	25.4 [1]	7.5 [0.3]
½ NPT	47.63 [1.88]	47.63 [1.88]	31.75 [1.25]	31.75 [1.25]	9.4 [0.37]	20 [0.79]	9 [0.35]	31.75 [1.25]	9 [0.35]

三通

标称压力: 15,000 psi [103.4 MPa]

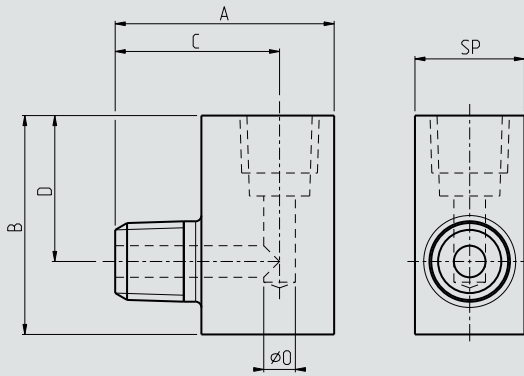


螺纹	尺寸 (单位: mm [in])								
	A	B	C	E	F	F2	J	SP	孔板
¼ NPT	44.45 [1.75]	38.1 [1.5]	25.4 [1]	6.5 [0.26]	14.5 [0.57]	29 [1.14]	6 [0.24]	19.05 [0.75]	5.5 [0.22]
⅜ NPT	50.8 [2]	38.1 [1.5]	25.4 [1]	8 [0.31]	16 [0.63]	32 [1.26]	7 [0.28]	25.4 [1]	7.5 [0.3]
½ NPT	63.5 [2.5]	47.75 [1.88]	31.75 [1.25]	9.4 [0.37]	20 [0.79]	40 [1.57]	9 [0.35]	31.75 [1.25]	9 [0.35]

符合ANSI/ASME B1.20.1的螺纹连接，内/外螺纹

弯头，带内外螺纹

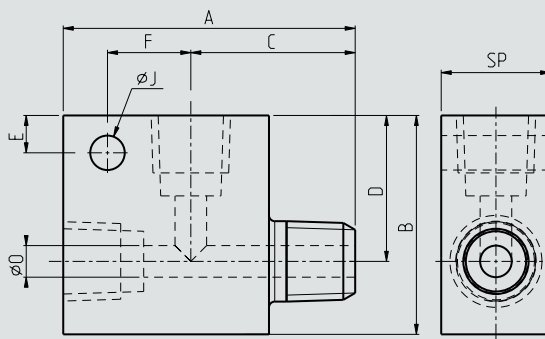
标称压力：15,000 psi [103.4 MPa]



螺纹	尺寸 (单位: mm [in])					
	A	B	C	D	SP	孔板
¼ NPT	38.1 [1.5]	38.1 [1.5]	28.6 [1.13]	25.4 [1]	19.05 [0.75]	5.5 [0.22]
⅜ NPT	44.45 [1.75]	38.1 [1.5]	31.75 [1.25]	25.4 [1]	25.4 [1]	7.5 [0.3]
½ NPT	57.15 [2.25]	44.45 [1.75]	41 [1.61]	31.75 [1.25]	31.75 [1.25]	9 [0.35]

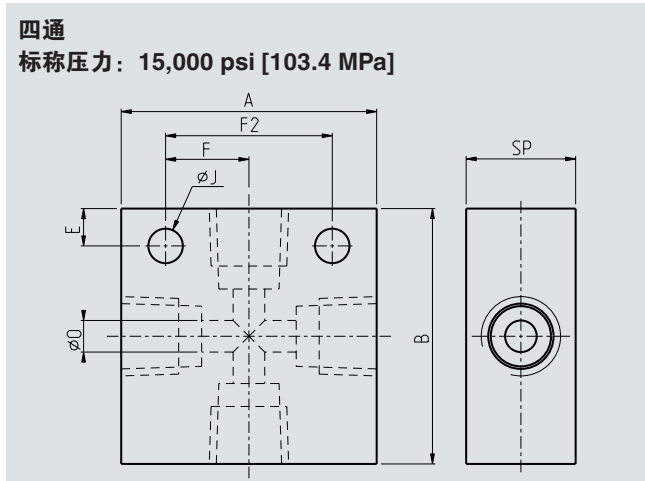
三通，带内外螺纹

标称压力：15,000 psi [103.4 MPa]

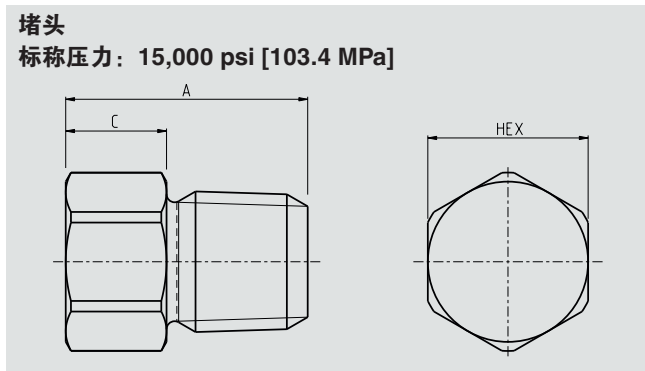


螺纹	尺寸 (单位: mm [in])								
	A	B	C	D	E	F	J	SP	孔板
¼ NPT	50.8 [2]	38.1 [1.5]	28.6 [1.13]	25.4 [1]	6.5 [0.26]	14.5 [0.57]	6 [0.24]	19.05 [0.75]	5.5 [0.22]
⅜ NPT	63.5 [2.5]	38.1 [1.5]	38.1 [1.5]	25.4 [1]	8 [0.31]	16 [0.63]	7 [0.28]	25.4 [1]	7.5 [0.3]
½ NPT	76.2 [3]	47.63 [1.88]	41 [1.61]	31.75 [1.25]	9.5 [0.37]	20 [0.79]	9 [0.35]	31.75 [1.25]	9 [0.35]

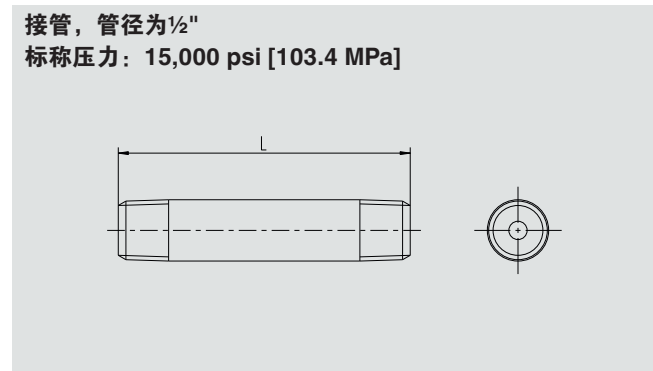
符合ANSI/ASME B1.20.1的螺纹连接，内/内螺纹



螺纹	尺寸 (单位: mm [in])							
	A	B	E	F	F2	J	SP	孔板
¼ NPT	44.45 [1.75]	44.45 [1.75]	6.5 [0.26]	14.5 [0.57]	29 [1.14]	6 [0.24]	19.05 [0.75]	5.5 [0.22]
⅜ NPT	50.8 [2]	50.8 [2]	8 [0.31]	16 [0.63]	32 [1.26]	7 [0.28]	25.4 [1]	7.5 [0.3]
½ NPT	63.5 [2.5]	63.5 [2.5]	9.4 [0.37]	20 [0.79]	40 [1.57]	9 [0.35]	31.75 [1.25]	9 [0.35]

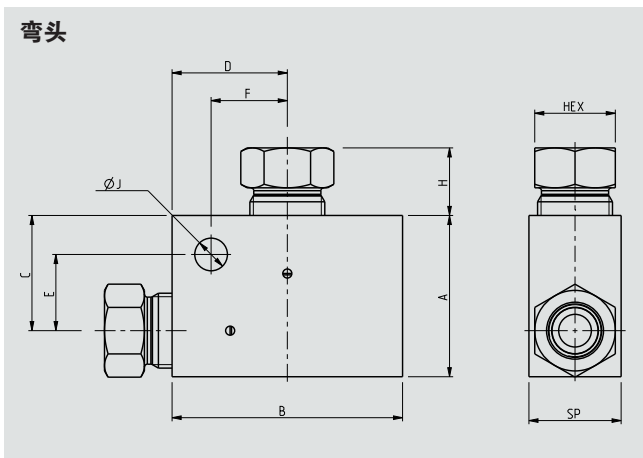


螺纹	尺寸 (单位: mm [in])		
	A	C	HEX
¼ NPT	24 [0.94]	10 [0.39]	15.90 [5/8"]
⅜ NPT	30 [1.18]	12 [0.47]	19.05 [3/4"]
½ NPT	35 [1.38]	14 [0.55]	23.81 [1 5/16"]



尺寸 (单位: mm [in])
L
69.85 [2 ¾"]
76.2 [3"]
101.6 [4"]
152.40 [6"]
203.2 [8"]
254 [10"]
304.8 [12"]

锥面/螺纹接头



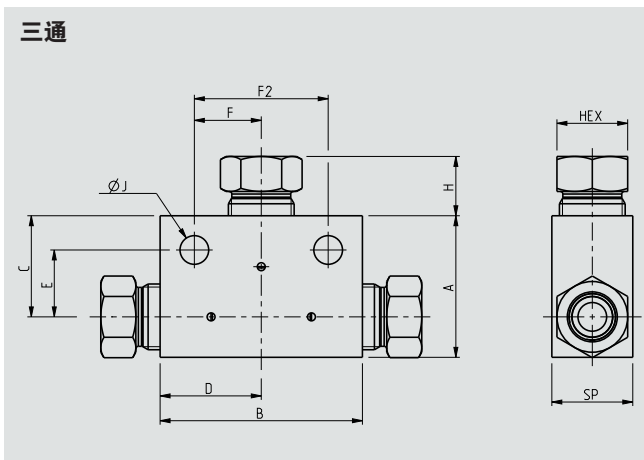
标称压力：20,000 psi [137.9 MPa]

用于外径	尺寸 (单位: mm [in])									
	A	B	C	D	E	F	H	J	SP	HEX
1/4"	28.45 [11.2]	38.1 [15]	19.05 [7.5]	19.05 [7.5]	12.5 [4.92]	12.5 [4.92]	9.22 [3.63]	6 [2.36]	15.88 [6.25]	12.7 [5]
3/8"	35.05 [13.8]	50.8 [20]	25.4 [10]	25.4 [10]	16 [6.3]	16 [6.3]	12.78 [5.03]	7 [2.76]	19.05 [7.5]	15.87 [6.25]
1/2"	44.45 [17.5]	63.5 [25]	31.75 [12.5]	31.75 [12.5]	21 [8.27]	21 [8.27]	14.12 [5.56]	9 [3.54]	25.4 [10]	22.2 [8.74]
3/4"	57.15 [22.5]	76.2 [30]	38.1 [15]	38.1 [15]	25.4 [10]	25.4 [10]	15.75 [6.2]	11 [4.33]	34.93 [13.75]	28.6 [11.26]
1"	76.2 [30]	104.78 [41.25]	52.4 [20.63]	52.39 [20.63]	35 [13.78]	35 [13.78]	18.3 [7.2]	14 [5.51]	44.45 [17.5]	34.93 [13.75]

标称压力：60,000 psi [413.6 MPa]

用于外径	尺寸 (单位: mm [in])									
	A	B	C	D	E	F	H	J	SP	HEX
1/4"	38.1 [15]	34.93 [13.75]	25.4 [10]	22.23 [8.75]	20 [7.87]	16.5 [6.5]	14.63 [5.76]	6 [2.36]	25.4 [10]	15.88 [6.25]
3/8"	38.1 [15]	44.45 [17.5]	25.4 [10]	31.75 [12.5]	18.3 [7.2]	17.5 [6.89]	18.68 [7.35]	7 [2.76]	25.4 [10]	20.64 [8.13]
1/2"	47.63 [18.75]	66.68 [26.25]	28.58 [11.25]	47.63 [18.75]	21 [8.27]	24 [9.45]	26.93 [10.6]	9 [3.54]	38.1 [15]	30.16 [11.87]

锥面/螺纹接头



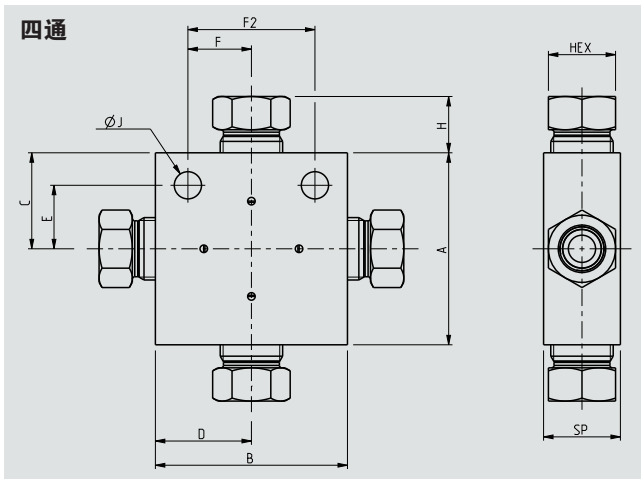
标称压力: 20,000 psi [137.9 MPa]

用于外径	尺寸 (单位: mm [in])										
	A	B	C	D	E	F	F2	H	J	SP	HEX
1/4"	28.45 [11.2]	38.1 [15]	19.05 [7.5]	19.05 [7.5]	12.5 [4.92]	12.5 [4.92]	25 [9.84]	9.22 [3.63]	6 [2.36]	15.88 [6.25]	12.7 [5]
3/8"	35.05 [13.8]	50.8 [20]	25.4 [10]	25.4 [10]	16 [6.3]	16 [6.3]	32 [12.6]	12.78 [5.03]	7 [2.76]	19.05 [7.5]	15.87 [6.25]
1/2"	44.45 [17.5]	63.5 [25]	31.75 [12.5]	31.75 [12.5]	21 [8.27]	21 [8.27]	42 [16.54]	14.12 [5.56]	9 [3.54]	25.4 [10]	22.2 [8.74]
3/4"	57.15 [22.5]	76.2 [30]	38.1 [15]	38.1 [15]	25.4 [10]	25.4 [10]	50.8 [20]	15.75 [6.2]	11 [4.33]	34.93 [13.75]	28.6 [11.26]
1"	76.2 [30]	104.78 [41.25]	52.4 [20.63]	52.4 [20.63]	35 [13.78]	35 [13.78]	70 [27.56]	18.3 [7.2]	14 [5.51]	44.45 [17.5]	34.93 [13.75]

标称压力: 60,000 psi [413.6 MPa]

用于外径	尺寸 (单位: mm [in])										
	A	B	C	D	E	F	F2	H	J	SP	HEX
1/4"	34.93 [13.75]	50.8 [20]	22.23 [8.75]	25.4 [10]	16.5 [6.5]	16.5 [6.5]	33 [12.99]	14.63 [5.76]	6 [2.36]	25.4 [10]	15.88 [6.25]
3/8"	39.69 [15.63]	50.8 [20]	26.99 [10.63]	25.4 [10]	17.5 [6.89]	17.5 [6.89]	35 [13.78]	18.68 [7.35]	7 [2.76]	25.4 [10]	20.64 [8.13]
1/2"	53.98 [21.25]	66.68 [26.25]	34.93 [13.75]	33.34 [13.13]	24 [9.45]	24 [9.45]	48 [18.9]	26.93 [10.6]	9 [3.54]	38.1 [15]	30.16 [11.87]

锥面/螺纹接头



标称压力: 20,000 psi [137.9 MPa]

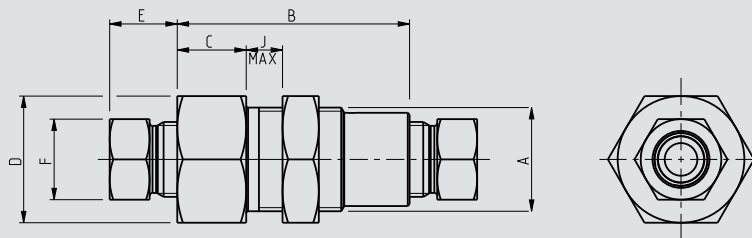
用于外径	尺寸 (单位: mm [in])										
	A	B	C	D	E	F	F2	H	J	SP	HEX
1/4"	38.1 [15]	38.1 [15]	19.05 [7.5]	19.05 [7.5]	12.5 [4.92]	12.5 [4.92]	25 [9.84]	9.22 [3.63]	6 [2.36]	15.88 [6.25]	12.7 [5]
3/8"	50.8 [20]	50.8 [20]	25.4 [10]	25.4 [10]	16 [6.3]	16 [6.3]	32 [12.6]	12.78 [5.03]	7 [2.76]	19.05 [7.5]	15.87 [6.25]
1/2"	63.5 [25]	63.5 [25]	31.75 [12.5]	31.75 [12.5]	21 [8.27]	21 [8.27]	42 [16.54]	14.12 [5.56]	9 [3.54]	25.4 [10]	22.2 [8.74]
3/4"	76.2 [30]	76.2 [30]	38.1 [15]	38.1 [15]	25.4 [10]	25.4 [10]	50.8 [20]	15.75 [6.2]	11 [4.33]	34.93 [13.75]	28.6 [11.26]
1"	104.78 [41.25]	104.78 [41.25]	52.4 [20.63]	52.4 [20.63]	35 [13.78]	35 [13.78]	70 [27.56]	18.3 [7.2]	14 [5.51]	44.45 [17.5]	34.93 [13.75]

标称压力: 60,000 psi [413.6 MPa]

用于外径	尺寸 (单位: mm [in])										
	A	B	C	D	E	F	F2	H	J	SP	HEX
1/4"	38.1 [15]	50.8 [20]	19.05 [7.5]	25.4 [10]	13 [5.12]	16.5 [6.5]	33 [12.99]	14.63 [5.76]	6 [2.36]	25.4 [10]	15.88 [6.25]
3/8"	50.8 [20]	50.8 [20]	25.4 [10]	25.4 [10]	16 [6.3]	16 [6.3]	32 [12.6]	18.68 [7.35]	7 [2.76]	19.05 [7.5]	15.87 [6.25]
1/2"	63.5 [25]	63.5 [25]	31.75 [12.5]	31.75 [12.5]	21 [8.27]	21 [8.27]	42 [16.54]	26.93 [10.6]	9 [3.54]	25.4 [10]	30.16 [11.87]

锥面/螺纹接头

穿板接头



标称压力: 20,000 psi [137.9 MPa]

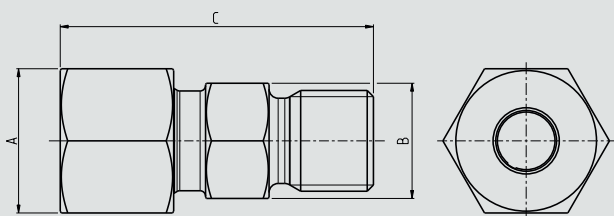
用于外径	尺寸 (单位: mm [in])						
	A	B	C	D	E	F	J
1/4"	20 [7.87]	48 [18.9]	13.5 [5.31]	25.4 [10]	9.22 [3.63]	12.7 [5]	10 [3.94]
3/8"	23 [9.06]	55 [21.65]	16 [6.3]	30.16 [11.87]	12.78 [5.03]	15.87 [6.25]	10 [3.94]
1/2"	30 [11.81]	64 [25.2]	19 [7.48]	34.9 [13.74]	14.12 [5.56]	22.2 [8.74]	10 [3.94]

标称压力: 60,000 psi [413.6 MPa]

用于外径	尺寸 (单位: mm [in])						
	A	B	C	D	E	F	J
1/4"	23 [9.06]	50.8 [20]	12.7 [5]	30.16 [11.87]	14.63 [5.76]	15.88 [6.25]	10 [3.94]
3/8"	30 [11.81]	60.33 [23.75]	19 [7.48]	34.9 [13.74]	18.68 [7.35]	20.64 [8.13]	10 [3.94]
1/2"	43 [16.93]	69.85 [27.5]	25.4 [10]	47.63 [18.75]	26.93 [10.6]	30.16 [11.87]	10 [3.94]

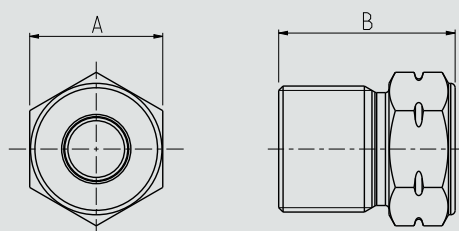
抗振接头

标称压力: 20,000 psi [137.9 MPa]



抗振接头

标称压力: 60,000 psi [413.6 MPa]



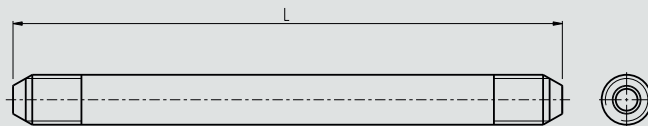
DN	尺寸 (单位: mm [in])		
	A	B	C
1/4"	15.88 [6.25]	12.7 [5]	34.5 [13.58]
3/8"	19.05 [7.5]	15.88 [6.25]	38.71 [15.24]
1/2"	25.4 [10]	22.2 [8.74]	47.69 [18.78]

DN	尺寸 (单位: mm [in])	
	A	B
1/4"	15.88 [6.25]	22 [8.66]
3/8"	20.64 [8.13]	30 [11.81]
1/2"	30.16 [11.87]	40 [15.75]

锥面/螺纹接管

接管，管径为 $\frac{1}{4}$ "、 $\frac{3}{8}$ "、 $\frac{9}{16}$ "

标称压力：20,000 psi [137.9 MPa] and 60,000 psi [413.6 MPa]



尺寸 (单位: mm [in])

L

69.85 [2 ¾"]¹⁾

76.2 [3"]¹⁾

101.6 [4"]

152.40 [6"]

203.2 [8"]

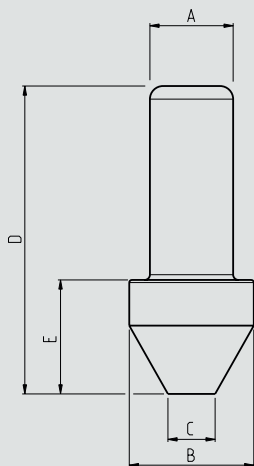
254 [10"]

304.8 [12"]

1) 不适用于管径 $\frac{9}{16}$ "

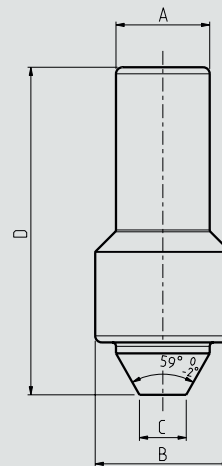
堵头

标称压力：20,000 psi [137.9 MPa]



堵头

标称压力：60,000 psi [413.6 MPa]



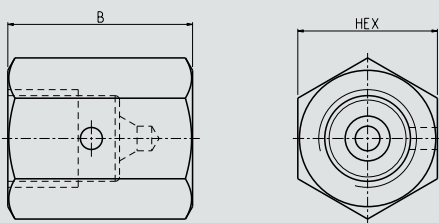
用于外径	尺寸 (单位: mm [in])				
	A	B	C	D	E
$\frac{1}{4}$ "	6.35 [2.5]	9.5 [3.74]	3.6 [1.42]	23.5 [9.25]	8.7 [3.43]
$\frac{3}{8}$ "	9.5 [3.74]	12.4 [4.88]	6.35 [2.5]	30.5 [12.01]	11.1 [4.37]
$\frac{9}{16}$ "	14.3 [5.63]	18.3 [7.2]	10.3 [4.06]	40 [15.75]	12.7 [5]
$\frac{3}{4}$ "	18.9 [7.44]	23.8 [9.37]	14.3 [5.63]	42 [16.54]	15.4 [6.06]
1"	25.2 [9.92]	31.8 [12.52]	18.3 [7.2]	56.5 [22.24]	20.4 [8.03]

用于外径	尺寸 (单位: mm [in])			
	A	B	C	D
$\frac{1}{4}$ "	6.35 [2.5]	9.5 [3.74]	3.18 [1.25]	28 [11.02]
$\frac{3}{8}$ "	9.5 [3.74]	12.7 [5]	5.56 [2.19]	37 [14.57]
$\frac{9}{16}$ "	14.3 [5.63]	20.64 [8.13]	7.14 [2.81]	50 [19.69]

锥面/螺纹接管

密封盖

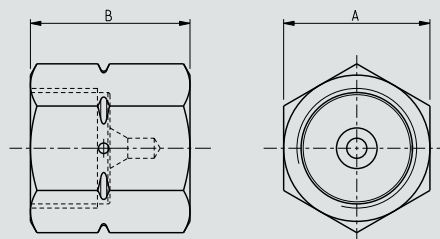
标称压力: 20,000 psi [137.9 MPa]



用于外径	尺寸 (单位: mm [in])	
	HEX	B
1/4"	15.87 [6.25]	21 [8.27]
3/8"	19.05 [7.5]	29 [11.42]
1/2"	25.4 [10]	35 [13.78]
3/4"	34.92 [13.75]	44.5 [17.52]
1"	44.45 [17.5]	57 [22.44]

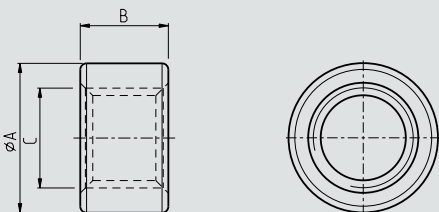
密封盖

标称压力: 60,000 psi [413.6 MPa]



用于外径	尺寸 (单位: mm [in])	
	A	B
1/4"	19.05 [7.5]	22.23 [8.75]
3/8"	25.4 [10]	31.75 [12.5]
1/2"	34.93 [13.75]	38.1 [15]

卡圈



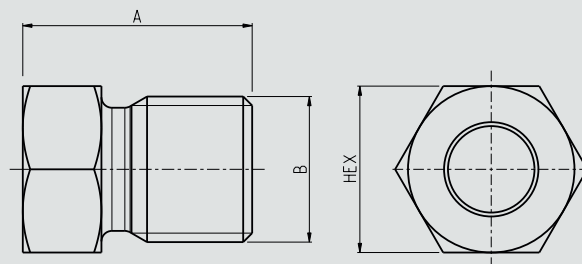
标称压力: 20,000 psi [137.9 MPa]

用于外径	尺寸 (单位: mm [in])		
	A	B	C
1/4"	9.5 [3.74]	5.6 [2.2]	1/4-28 UNF-LH-2B
3/8"	12.4 [4.88]	6.3 [2.48]	3/8-24 UNF-LH-2B
1/2"	18.4 [7.24]	8 [3.15]	9/16-18 UNF-LH-2B
3/4"	23.8 [9.37]	9.6 [3.78]	3/4-16 UNF-LH-2B
1"	31.8 [12.52]	12.9 [5.08]	1-14 UNF-LH-2B

标称压力: 60,000 psi [413.6 MPa]

用于外径	尺寸 (单位: mm [in])		
	A	B	C
1/4"	9.5 [3.74]	9.5 [3.74]	1/4-28 UNF-LH-2B
3/8"	12.7 [5]	13.5 [5.31]	3/8-24 UNF-LH-2B
1/2"	20.64 [8.13]	15.8 [6.22]	9/16-18 UNF-LH-2B

螺套



标称压力: 20,000 psi [137.9 MPa]

用于外径	尺寸 (单位: mm [in])		
	A	B	HEX
1/4"	17.5 [6.89]	7/16-20 UNF-2A	12.7 [5]
3/8"	20.5 [8.07]	9/16-18 UNF-2A	15.87 [6.25]
1/2"	27 [10.63]	13/16-16 UNF-2A	22.2 [8.74]
3/4"	28.5 [11.22]	3/4-14 NPSM	28.6 [11.26]
1"	38.1 [15]	1 3/8-12 UNF-2A	34.93 [13.75]

标称压力: 60,000 psi [413.6 MPa]

用于外径	尺寸 (单位: mm [in])		
	A	B	HEX
1/4"	22 [8.66]	9/16-18 UNF-2A	15.88 [6.25]
3/8"	30 [11.81]	3/4-16 UNF-2A	20.64 [8.13]
1/2"	40 [15.75]	1 1/8-12 UNF-2A	30.16 [11.87]

证书

- 3.1 检验证书，符合EN 10204 (可选项)
所有接液部件材料证书¹⁾

1) 对于锥面/螺纹接头的连接类型，材料证书中不包括卡圈和螺套。

订购信息

型号/标称压力/型号/连接类型/连接尺寸/材料/选项

© 03/2022 WIKA Alexander Wiegand SE & Co. KG, 版权所有。
本文件中列出的规格仅代表本文件出版时产品的工程状态。
我们保留对规格和材料进行变更的权利。



威卡自动化仪表 (苏州) 有限公司
威卡国际贸易 (上海) 有限公司

电话: (+86) 400 928 9600
传真: (+86) 512 68780300
邮箱: 400@wikachina.com
网址: www.wika.cn