

Pressure gauge, DirectDrive version Models PG81 and PG91

WIKA data sheet PM 01.50



Applications

- Measurement of static pressures in dry, gaseous media that will not attack copper alloy parts
- Indication of cylinder charging pressure for medical and industrial gases

Special features

- Good vibration and shock resistance
- Compact and robust design
- Scale ranges to 0 ... 450 bar [0 ... 6,500 psi]
- Stainless steel case, NS 36 [1.4"] and NS 41 [1.6"]
- Ingress protection IP65 and IP67 available



Fig. left: Model PG81 with spiral tube

Fig. right: Model PG91 with helical tube

Description

Measurement principle

The pressure gauges in DirectDrive version do not require a movement. The pressure element is directly connected to the pointer or acts as a pointer itself. The shape of the pressure element provides for a pointer rotation proportional to the pressure. The measuring elements of the model PG81 are designed in a spiral form and those of the model PG91 in a helical form.

The advantage of the DirectDrive version is the optimised shock and vibration resistance.

Fields of application

This pressure gauge is particularly suited for the operating conditions of pressure regulators and pressure valves on fixed and portable gas cylinders.

Individual customer versions

Based on many years of experience in manufacturing and development, WIKA is happy to offer support in the construction and production of customer-specific solutions.

Specifications

Basic information	
Standard	<ul style="list-style-type: none"> ■ In line with EN 837-1 ¹⁾ ■ In line with ISO 10297 ¹⁾ ■ UL 252A (only for model PG81) ■ UL 404 (only for scale ranges from 0 ... 100 bar [0 ... 1,500 psi]) <p>For information on the "Selection, installation, handling and operation of pressure gauges", see Technical information IN 00.05.</p>
Further version	<ul style="list-style-type: none"> ■ Oil- and grease-free ■ For oxygen, oil- and grease-free
Nominal size (NS)	<ul style="list-style-type: none"> ■ Ø 36 mm [1.4"] ■ Ø 41 mm [1.6"]
Connection location	Centre back mount
Window	Polycarbonate
Case	
Design	<ul style="list-style-type: none"> ■ With blow-out device in case back ■ With ventable diaphragm and blow-out device in case back
Material	Stainless steel
Protective cap	<ul style="list-style-type: none"> ■ Without ■ Rubber, black ■ Rubber, blue ■ Rubber, red ■ Rubber, orange

1) Load cycle stability and other standards' requirements are fulfilled.

Measuring element	
Type of measuring element	
Model PG81	Spiral tube
Model PG91	Helical tube
Material	Copper alloy
Leak tightness	Leakage rate: $< 5 \cdot 10^{-3}$ mbar l/s

Accuracy specifications	
Accuracy ¹⁾	<ul style="list-style-type: none"> ■ ± 4 % of span ²⁾ ■ ± 2.5 % at a defined pressure value
Temperature error	On deviation from the reference conditions at the measuring system: $\leq \pm 0.4$ % per 10 °C [$\leq \pm 0.4$ % per 18 °F] of full scale value
Reference conditions	
Ambient temperature	+20 °C [+68 °F]

1) Including non-linearity, hysteresis, zero offset and end value deviation (corresponds to measured error per IEC 61298-2). Adjusted at nominal position per EN 837-1

2) ± 5 % of span for span ≤ 12 bar [175 psi]

Scale ranges

bar	
0 ... 6 ¹⁾	0 ... 60
0 ... 8	0 ... 100
0 ... 10	0 ... 160
0 ... 12	0 ... 200
0 ... 16	0 ... 250
0 ... 20	0 ... 315
0 ... 30	0 ... 400
0 ... 40	0 ... 450

kg/cm ²	
0 ... 6 ¹⁾	0 ... 60
0 ... 8	0 ... 100
0 ... 10	0 ... 160
0 ... 12	0 ... 200
0 ... 16	0 ... 250
0 ... 20	0 ... 315
0 ... 30	0 ... 400
0 ... 40	0 ... 450

kPa	
0 ... 600 ¹⁾	0 ... 6,000
0 ... 800	0 ... 10,000
0 ... 1,000	0 ... 16,000
0 ... 1,200	0 ... 20,000
0 ... 1,600	0 ... 25,000
0 ... 2,000	0 ... 31,500
0 ... 3,000	0 ... 40,000
0 ... 4,000	0 ... 45,000

MPa	
0 ... 0.6 ¹⁾	0 ... 6
0 ... 0.8	0 ... 10
0 ... 1	0 ... 16
0 ... 1.2	0 ... 20
0 ... 1.6	0 ... 25
0 ... 2	0 ... 31.5
0 ... 3	0 ... 40
0 ... 4	0 ... 45

psi	
0 ... 90 ¹⁾	0 ... 870
0 ... 100	0 ... 1,500
0 ... 150	0 ... 2,200
0 ... 175	0 ... 3,000
0 ... 232	0 ... 3,600
0 ... 300	0 ... 4,500
0 ... 362	0 ... 5,000
0 ... 400	0 ... 6,000
0 ... 600	0 ... 6,500

Model PG81 with spiral tube
 Model PG91 with helical tube

1) Restricted scale angle $\leq 120^\circ \pm 15^\circ$

The scale ranges shown with model (type of the measuring element) are recommendations from WIKA. Different, customer-specific versions on request.

Further details on: Scale ranges		
Unit	<ul style="list-style-type: none"> ■ bar ■ psi ■ kg/cm² ■ kPa ■ MPa 	
Dial		
Scale angle	≤ 160° ±15°	
Scale layout	<ul style="list-style-type: none"> ■ Single scale ■ Dual scale 	
Scale colour	Single scale	Black
	Dual scale	Black/red
Material	Aluminium	
Customer-specific version	Other scales, e.g. with red mark, circular arcs or circular sectors, on request	
Pointer	Copper alloy, black	

Process connection		
Standard	<ul style="list-style-type: none"> ■ EN 837-1 ■ ISO 7 ■ ANSI/B1.20.1 	
Size		
EN 837-1	<ul style="list-style-type: none"> ■ G 1/8 B, male thread ■ G 1/4 B, male thread 	
ANSI/B1.20.1	<ul style="list-style-type: none"> ■ 1/8 NPT, male thread ■ 1/4 NPT, male thread 	
ISO 7	<ul style="list-style-type: none"> ■ R 1/8, male thread ■ R 1/4, male thread 	
Restrictor	<ul style="list-style-type: none"> ■ Without ■ Ø 0.3 mm [0.012"], copper alloy ■ Ø 0.1 mm [0.004"], copper alloy ■ Reduced measuring element diameter (only model PG91 with helical tube) 	
Material (wetted)		
Process connection	Copper alloy	
Bourdon tube	Copper alloy	

Other process connections on request

Operating conditions		
Medium temperature range	-20 ... +65 °C [-4 ... +149 °F]	
Ambient temperature range	-20 ... +65 °C [-4 ... +149 °F]	
Storage temperature range	-40 ... +70 °C [-40 ... +158 °F]	
Pressure limitation		
Steady ¹⁾	3/4 x full scale value	
Fluctuating	2/3 x full scale value	
Short time	Full scale value	
Ingress protection per IEC/EN 60529	<ul style="list-style-type: none"> ■ IP65 ■ IP67 	

1) Maximum allowable pressure PS per European pressure equipment directive

Approvals

Logo	Description	Region
	EU declaration of conformity Pressure equipment directive PS > 200 bar, module A, pressure accessory	European Union
	UL UL approval per UL 252A (only for model PG81) UL approval per UL 404 (only for scale ranges from 0 ... 100 bar [0 ... 1,500 psi])	North America

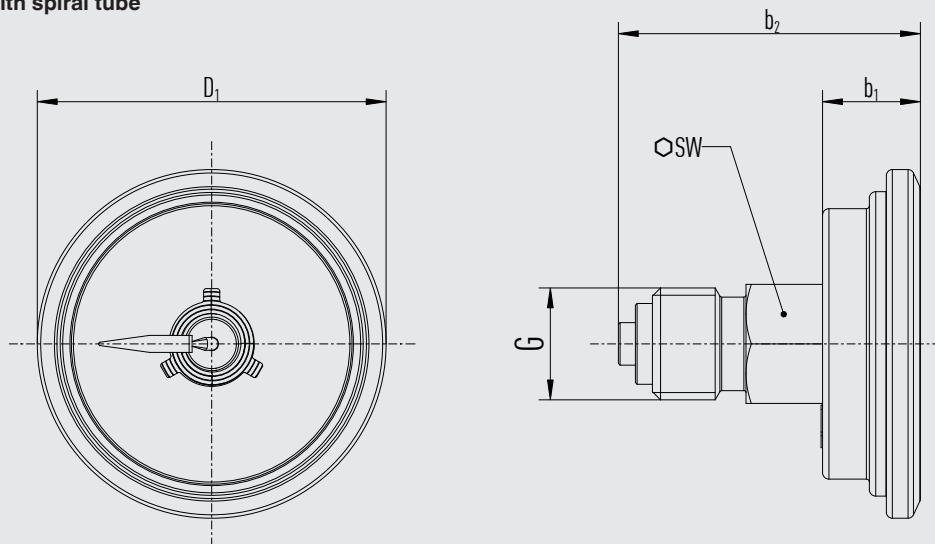
Certificates (option)

Certificates	
Certificates	<ul style="list-style-type: none">■ 2.2 test report per EN 10204 (e.g. state-of-the-art manufacturing, indication accuracy)■ 3.1 inspection certificate per EN 10204 (e.g. material proof for wetted metal parts, indication accuracy)

→ For approvals and certificates, see website

Dimensions in mm [in]

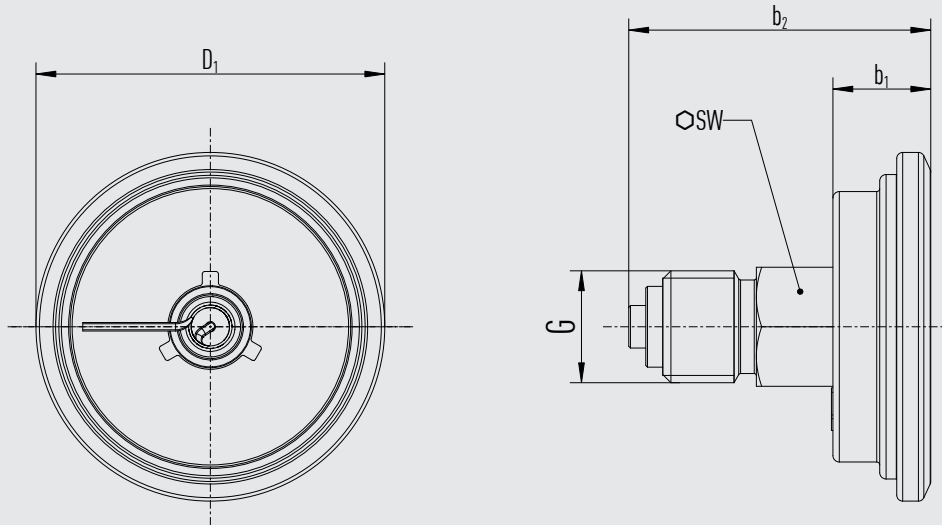
Model PG81 with spiral tube



14298216.01

NS	G	Dimensions in mm [in]				Weight in kg [lb]
		D	b1 ±0.5 [±0.02]	b2 ±1.5 [±0.06]	SW	
36 [1.4"]	G 1/8 B	36 [1.42]	11.5 [0.45]	32 [1.26]	14 [0.55]	0.021 [0.046]
	G 1/4 B	36 [1.42]	11.5 [0.45]	32 [1.26]	14 [0.55]	0.021 [0.046]
	1/8 NPT	36 [1.42]	11.5 [0.45]	32 [1.26]	14 [0.55]	0.021 [0.046]
	1/4 NPT	36 [1.42]	11.5 [0.45]	32 [1.26]	14 [0.55]	0.021 [0.046]
	R 1/8	36 [1.42]	11.5 [0.45]	32 [1.26]	14 [0.55]	0.021 [0.046]
	R 1/4	36 [1.42]	11.5 [0.45]	32 [1.26]	14 [0.55]	0.021 [0.046]
41 [1.6"]	G 1/8 B	41 [1.61]	11.5 [0.45]	32 [1.26]	14 [0.55]	0.024 [0.053]
	G 1/4 B	41 [1.61]	11.5 [0.45]	32 [1.26]	14 [0.55]	0.024 [0.053]
	1/8 NPT	41 [1.61]	11.5 [0.45]	32 [1.26]	14 [0.55]	0.024 [0.053]
	1/4 NPT	41 [1.61]	11.5 [0.45]	32 [1.26]	14 [0.55]	0.024 [0.053]
	R 1/8	41 [1.61]	11.5 [0.45]	32 [1.26]	14 [0.55]	0.024 [0.053]
	R 1/4	41 [1.61]	11.5 [0.45]	32 [1.26]	14 [0.55]	0.024 [0.053]

Model PG91 with helical tube



14298216.01

NS	G	Dimensions in mm [in]				Weight in kg [lb]
		D	b1 ±0.5 [±0.02]	b2 ±1.5 [±0.06]	SW	
36 [1.4"]	G 1/8 B	36 [1.42]	11.5 [0.45]	36.5 [1.44]	14 [0.55]	0.021 [0.046]
	G 1/4 B	36 [1.42]	11.5 [0.45]	36.5 [1.44]	14 [0.55]	0.021 [0.046]
	1/8 NPT	36 [1.42]	11.5 [0.45]	36.5 [1.44]	14 [0.55]	0.021 [0.046]
	1/4 NPT	36 [1.42]	11.5 [0.45]	36.5 [1.44]	14 [0.55]	0.021 [0.046]
	R 1/8	36 [1.42]	11.5 [0.45]	36.5 [1.44]	14 [0.55]	0.021 [0.046]
	R 1/4	36 [1.42]	11.5 [0.45]	36.5 [1.44]	14 [0.55]	0.021 [0.046]
41 [1.6"]	G 1/8 B	41 [1.61]	11.5 [0.45]	36.5 [1.44]	14 [0.55]	0.024 [0.053]
	G 1/4 B	41 [1.61]	11.5 [0.45]	36.5 [1.44]	14 [0.55]	0.024 [0.053]
	1/8 NPT	41 [1.61]	11.5 [0.45]	36.5 [1.44]	14 [0.55]	0.024 [0.053]
	1/4 NPT	41 [1.61]	11.5 [0.45]	36.5 [1.44]	14 [0.55]	0.024 [0.053]
	R 1/8	41 [1.61]	11.5 [0.45]	36.5 [1.44]	14 [0.55]	0.024 [0.053]
	R 1/4	41 [1.61]	11.5 [0.45]	36.5 [1.44]	14 [0.55]	0.024 [0.053]

Ordering information

Model / Nominal size / Scale range / Options

© 03/2020 WIKA Alexander Wiegand SE & Co. KG, all rights reserved.
 The specifications given in this document represent the state of engineering at the time of publishing.
 We reserve the right to make modifications to the specifications and materials.

