

# Bourdon tube pressure gauge Industrial series, NS 250 Models 211.11, 231.11

WIKA data sheet PM 02.17



## Applications

- For gaseous and liquid media that are not highly viscous or crystallising
- Model 211.11: Measuring system Cu-alloy
- Model 231.11: Measuring system stainless steel, also for aggressive media

## Special features

- Large, easy-to-read scale due to nominal size 250
- Long service life, robust
- Scale ranges up to 0 ... 1600 bar



Bourdon tube pressure gauge model 211.11

## Description

### Design

EN 837-1

### Nominal size in mm

250

### Accuracy class

1.0

### Scale ranges

0 ... 0.6 to 0 ... 1600 bar

or all other equivalent vacuum or combined pressure and vacuum ranges

### Pressure limitation

Steady: Full scale value

Fluctuating: 0.9 x full scale value

Short time: 1.3 x full scale value

### Permissible temperature

Ambient: -40 ... +60 °C

Medium: +80 °C maximum (model 211.11)

+200 °C maximum (model 231.11)

### Temperature effect

When the temperature of the measuring system deviates from the reference temperature (+20 °C):

Max.  $\pm 0.4\%$ /10 K of full scale value

### Ingress protection

IP 54 per EN 60529 / IEC 529

## Standard version

### Process connection

Model 211.11: Cu-alloy

Model 231.11: Stainless steel 316L

Lower mount (LM) or lower back mount (LBM), G ½ B (male),  
22 mm flats

### Pressure element

Model 211.11:

■ < 100 bar: Cu-alloy

■ ≥ 100 bar: Stainless steel 316L

Model 231.11: Stainless steel 316L

### Movement

Cu-alloy, wear parts argentan

### Dial

Aluminium, white, black lettering

### Pointer

Aluminium, black

### Case

Steel, black

### Window

Instrument glass

### Bezel ring

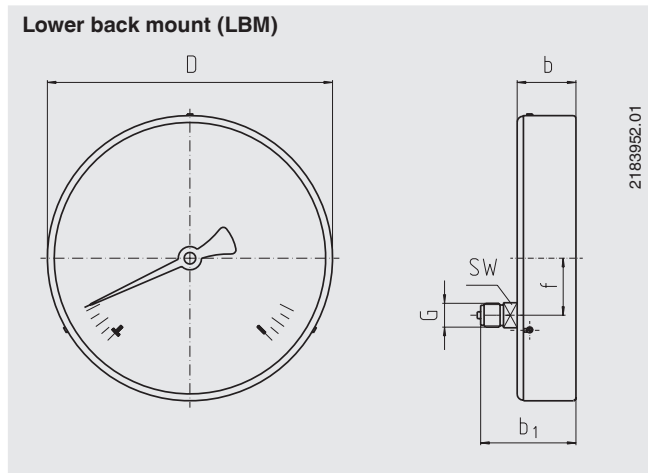
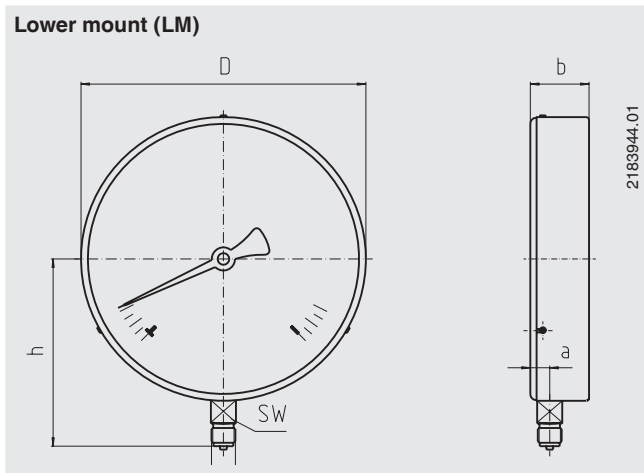
Slip-on bezel, steel, black

## Options

- Other process connection
- Window from laminated safety glass or clear non-splinte-ring plastic
- Panel mounting flange, steel, black
- Restrictor in the process connection
- Stainless steel movement
- Adjustable pointer
- Red mark pointer or drag pointer
- Version for oxygen service, oil and grease free

## Dimensions in mm

### Standard version



NS	Dimensions in mm						Weight in kg		
	a	b	b1	D	f	G	h ±1	SW	
250	17	51.5 <sup>1)</sup>	83.5 <sup>1)</sup>	250	50	G ½ B	165	22	3.0

Process connection per EN 837-1 / 7.3

1) Plus 13 mm with scale ranges ≥ 100 bar

## Ordering information

Model / Nominal size / Scale range / Connection size / Connection location / Options

© 2008 WIKA Alexander Wiegand SE & Co. KG, all rights reserved.

The specifications given in this document represent the state of engineering at the time of publishing.

We reserve the right to make modifications to the specifications and materials.



**WIKAL Alexander Wiegand SE & Co. KG**  
 Alexander-Wiegand-Straße 30  
 63911 Klingenberg/Germany  
 Tel. (+49) 9372/132-0  
 Fax (+49) 9372/132-406  
 E-mail info@wika.de  
 www.wika.de